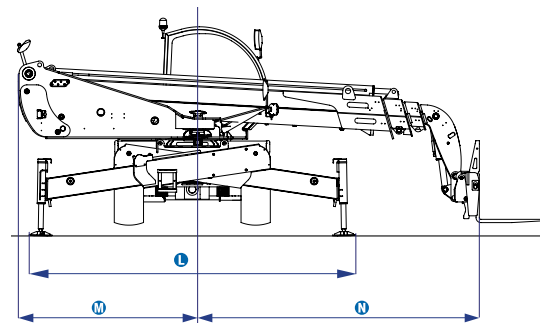
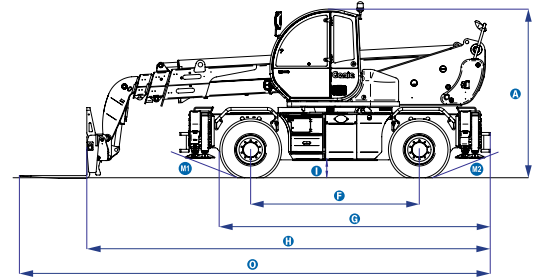


Specifications

Model	GTH™ -5021 R	
Measurements	Metric	Imperial
Lifting height maximum with outriggers	20.86 m	68 ft 5 in
Lifting height maximum without outriggers	20.64 m	67 ft 9 in
Lifting capacity maximum	5,000 kg	11,023 lbs
Lift capacity at maximum height	3,000 kg	6,614 lbs
Lift capacity at maximum reach	500 kg	1,102 lbs
Forward reach maximum	18.24 m	59 ft 8 in
Reach at maximum height	3.90 m	12 ft 9 in
A Height	2.99 m	9 ft 9 in
B Height at steering wheel	2.22 m	7 ft 3 in
C Width	2.42 m	7 ft 11 in
D Cab width	0.93 m	3 ft
E Track	1.95 m	6 ft 4 in
F Wheelbase	3.00 m	9 ft 10 in
G Length at front wheels	4.81 m	15 ft 9 in
H Length at fork-holder plate	7.17 m	23 ft 6 in
I Ground clearance	0.36 m	1 ft 2 in
L Overall width, outriggers extended	5.01 m	16 ft 5 in
M Side rear overhang	2.67 m	8 ft 9 in
N Side front overhang	4.40 m	14 ft 5 in
O Overall length	8.37 m	27 ft 5 in
m1 Obstruction angle		21°
m2 Departure angle		21°

Measurements

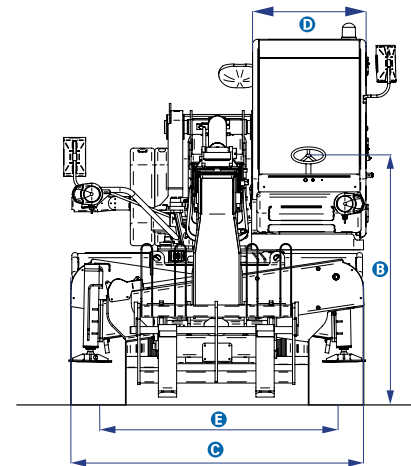


Productivity

Inside/outside turning radius	2.37 m/4.22 m	7 ft 9 in/13 ft 10 in
Break-out force (with 800 L shovel SAE J 732/80)	7,700 kg	16,975 lbs
Towing capacity at dynamometer*	7,240 kg	15,961 lbs
Drive speed max.	30 km/h	18 mph
Fork-holder plate rotation		138°
Tyres (DIN 70361)	18R19.5 TL XF 10 holes wheel disc	
Lifting/lowering speed*	22 sec./17 sec.	
Extension/retraction speed*	42 sec./24 sec.	

Power

Engine	Perkins 854E-E34TA turbo diesel 83 kW (111 hp), stage IIIB Perkins 1104D-E44T turbo diesel 75 kW (100 hp), stage IIIA	
Transmission	Hydrostatic variable displacement pump linked to variable displacement motor. Both piston type.	
Service pumps	Boom & Control system gear pump type: 280 Bar, 95L/min. Service Brake gear pump type: 180 Bar, 30 L/min.	
Petrol tank capacities	205 L	54 gal
Engine oil capacities	8 L	2.1 gal
Hydraulic oil tank capacities	220 L	58 gal



Weight**	17,180 kg	37,875 lbs
----------	-----------	------------

Standards Compliance

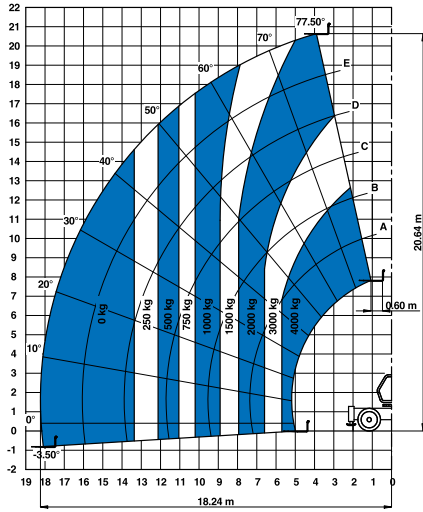
EU Machinery Directive 2006/42/EC
 Operating cab conforms to ISO3471 (ROPS) and ISO3449 (FOPS)
 Low emission engine conforms to EU Directive 97/68/EC Stage III and 2004/26/EC
 Noise emission conforms to EU Directive 2000/14/EC (LpA=83 dB, LwA=103dB)
 Vibration levels according to EN13059:2002 (hand-arm <2.5m/s², whole body 0.23m/s²)

* Without load

** Weight will vary depending on options and/or country standards

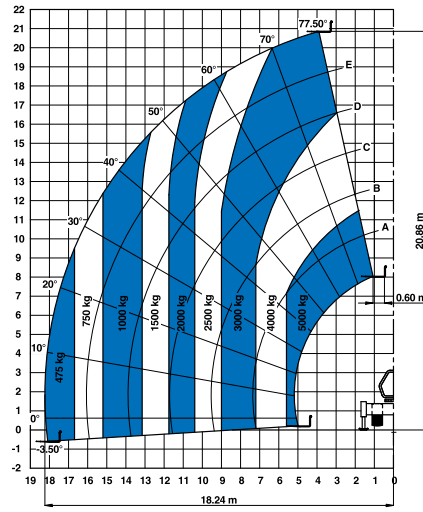
Load Charts

On wheels with forks

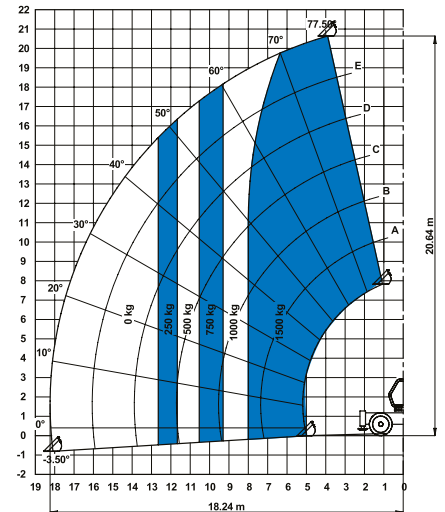


Under EN1459, Annex B

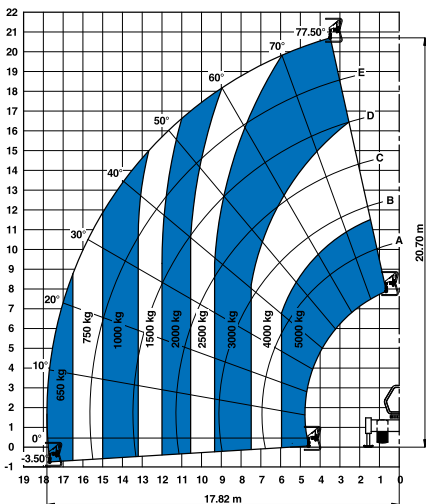
On outriggers with forks



On wheels with 800 L shovel

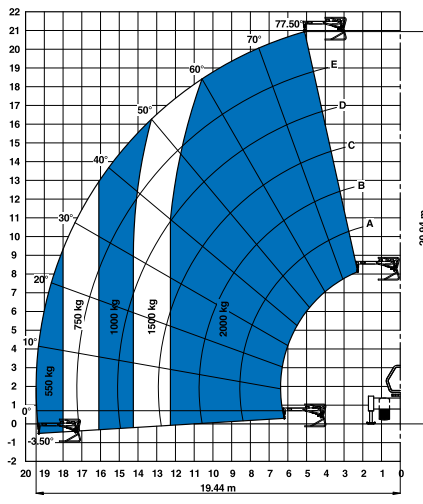


On outriggers with 5t fixed hook on plate

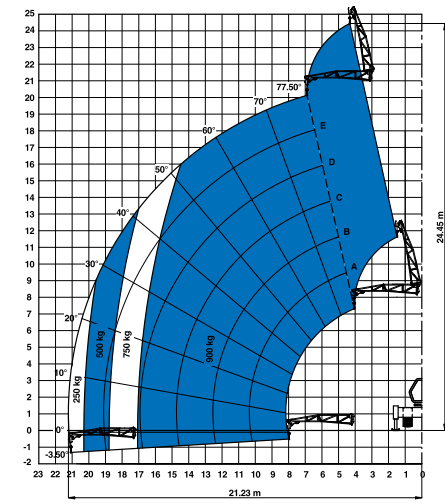


Under EN1459, Annex B

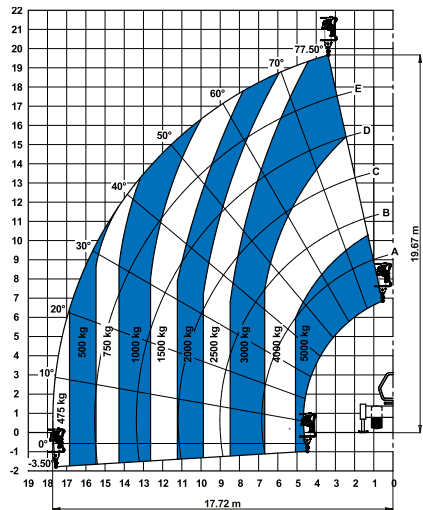
On outriggers with 2m jib (mechanical)



On outriggers with 4m jib (mechanical/hydraulic)

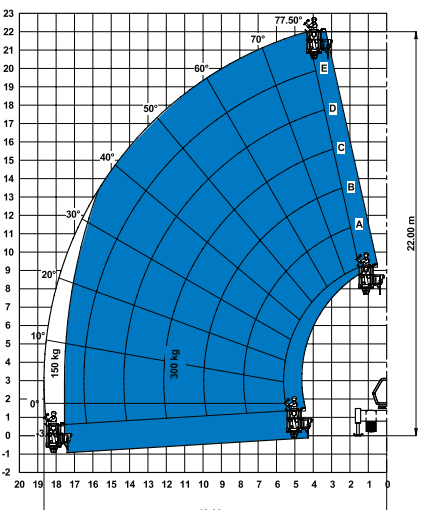


On outriggers with 5t hydraulic winch



Under EN1459, Annex B

On outriggers with 2P-300F manplatform



On outriggers with 3P-700REM 4400 manplatform

